

4XPH

Pintle Heavy Equipment Transport

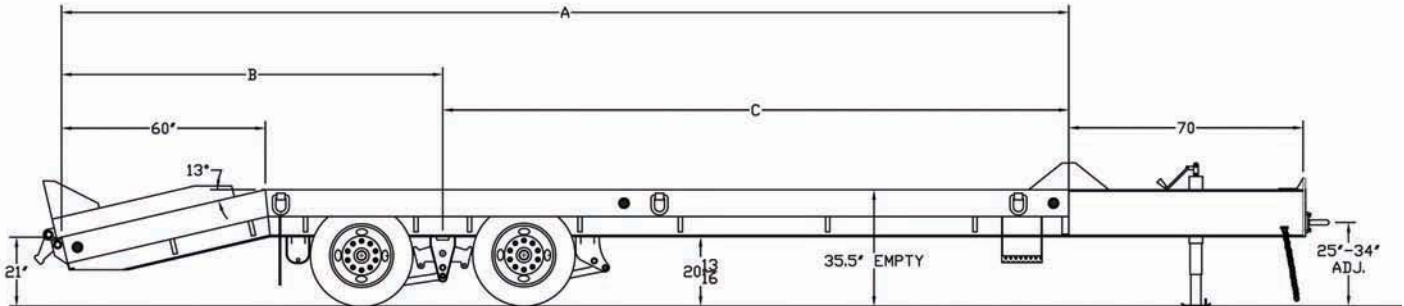
G.V.W.R.	48,000#	AXLES	Two 22,500# Dual Wheel Air Brake - Oil Bath
G.A.W.R. (Each Axle)	18,160#	SUSPENSION	44K Adjustable
COUPLER	60K 3" ID Pintle Eye	TIRE	215/75R 17.5 Load Range H
SAFETY CHAINS	1/2" Grd. 80 w/Safety Latch Hooks (2 each)	WHEEL	6.75 x 17.5, 10 Bolt Budd
JACK	12K TW Drop Leg Jack	FLOOR	2" Nominal Oak (S4S)
TONGUE	Integral w/Frame	LIGHTS	LED D.O.T. Stop, Tail, Turn & Clearance
TOP RAIL	None	ELEC. PLUG	7 Way Semi Style
FRAME	14", 26# I-Beam	FINISH (Prep)	Steel is Cleaned to Ensure a Professional Smooth Finish.
CROSSMEMBERS	6" Jr. I-Beam on 16" Centers	FINISH	Superior Quality Finish is Applied for a Highly Decorative and Protective Finish.
SIDE RAILS	8" Channel		

Standard Features

- 3 Position Pintle Adjustment
- Safety Chains Attchd w/Cold Rolled Eyelets
- Storage Area in Tongue
- Modular Sealed Wiring Harness w/Junction Box
- Bolt On Jack
- Safety Reflective Marker Tape
- 102" Wide
- Low Profile Bed
- 2 Side Bed Steps
- Oak Flooring
- 6 - 1" O.D. D-Rings
- Heavy Duty Oil Bath Axles w/12-1/4" x 7-1/2" Air Brakes, Including Automatic Slack Adjusters & Spring Brakes on Both Axles
- Anti-Skid Brake System on Front Axle
- Rubber Mounted Sealed LED Lighting
- 5' Dove Tail w/Double Hinged Spring Assist Ramps

Dimensions With Dovetail

Length	A	B	C
20' + 5'	300"	113"	187"
24' + 5'	348"	137"	211"



MODEL#	WEIGHT	DESCRIPTION
*4XPH-20+5	8,950#	102" x 20' + 5' Equipment Transport
*4XPH-24+5	10,150#	102" x 24' + 5' Equipment Transport

OPTIONS

Vertical Spare Mount	1" D-Ring (Each)
Spare Tire (215/75R 17.5 LR-H)	Single 2 Speed Drop Leg Jack (25K)
Lockable Lid Cover Tool Storage in Tongue	Dual 2 Speed Landing Gear Jacks (50K)
ABS on 2nd Axle	Wood Fill Dovetail & Ramps

*** Trailer is subject to Federal Excise Tax**