

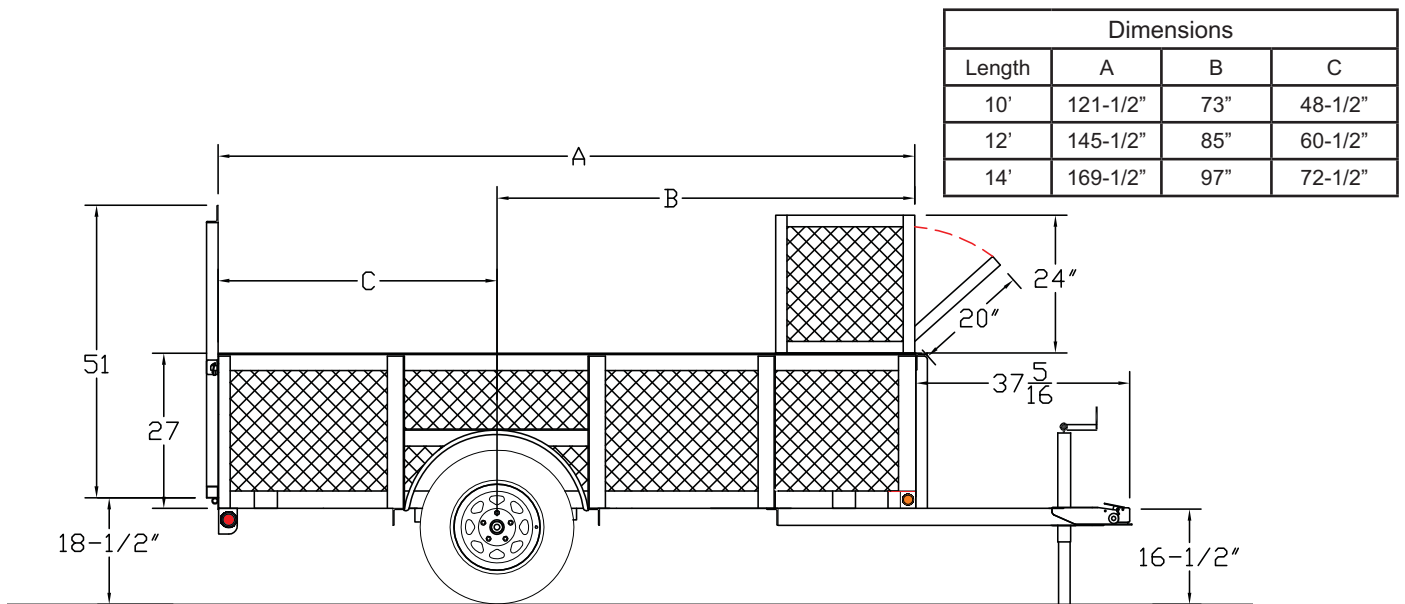
# 30LS / 35LS

## Single Axle Landscape

<b>G.V.W.R.</b>	2,995#	<b>AXLE</b>	3,500# EZ Lube w/Brake Flanges
<b>G.A.W.R.</b>	2,995#	<b>SUSPENSION</b>	Multi-Leaf Spring
<b>COUPLER</b>	2" A-Frame	<b>TIRE</b>	ST205/75-15 Load Range C
<b>SAFETY CHAINS</b>	1/4" Grd. 30 w/Safety Latch Hook (2 each)	<b>WHEEL</b>	15 x 5 White Spoke 5 Bolt
<b>JACK</b>	2K Top Wind (Bolted On)	<b>FLOOR</b>	2" Pine
<b>TONGUE</b>	3" Channel	<b>LIGHTS</b>	D.O.T. Stop, Tail, Turn & Clearance
<b>TOP RAIL</b>	3" x 2" x 3/16" Angle	<b>ELEC. PLUG</b>	4-Way Flat w/Loom
<b>FRAME</b>	3" x 2" x 3/16" Angle	<b>FINISH (Prep)</b>	Steel is Cleaned to Ensure a Professional Smooth Finish.
<b>CROSSMEMBERS</b>	3" x 2" x 3/16" Angle	<b>FINISH</b>	Superior Quality Finish is Applied for a Highly Decorative and Protective Finish.
<b>UPRIGHTS</b>	3" x 2" x 3/16" Angle, 3" x 2" Tube		
<b>FENDERS</b>	9" x 32" Rolled Formed w/Back		

### Standard Features

- Safety Chains Attached w/Cold Rolled Eyelets
- Sand Foot on Jack
- 24" x 24" x Width of Trailer, Lockable Landscape Box Mounted on Front of Trailer
- 2' Sides Enclosed w/Expanded Metal
- 5 Tool Holders on Rear of Landscape Box
- Floor Secured w/Torx Screws
- 3,500# EZ Lube Axle w/Brake Flanges for Easy Brake Addition
- 4' Rampgate w/Expanded Metal
- 30LS has 3 Center Uprights in Gate
- 35LS has 5 Center Uprights in Gate
- Grommet Mount Sealed Lighting



MODEL#	WEIGHT	DESCRIPTION
30LS-10	1,260#	60" x 10' Single Axle Landscape
35LS-10	1,420#	83" x 10' Single Axle Landscape
35LS-12	1,650#	83" x 12' Single Axle Landscape
35LS-14	1,820#	83" x 14' Single Axle Landscape

### OPTIONS

2" Forged Coupler	2' Side Extensions w/Expanded Metal (Bolt On) - 14'
2K Fold-Up Jack	Spare Tire Mount (Side)
Set Back Jack	Spare Tire (ST205/75-15 LR-C)
Electric Brakes w/Complete Break-Away Kit	LED Lighting
2' Side Extensions w/Expanded Metal (Bolt On) - 10'	Gas Spring Assist Option - Rampgate
2' Side Extensions w/Expanded Metal (Bolt On) - 12'	Weed Eater Racks