

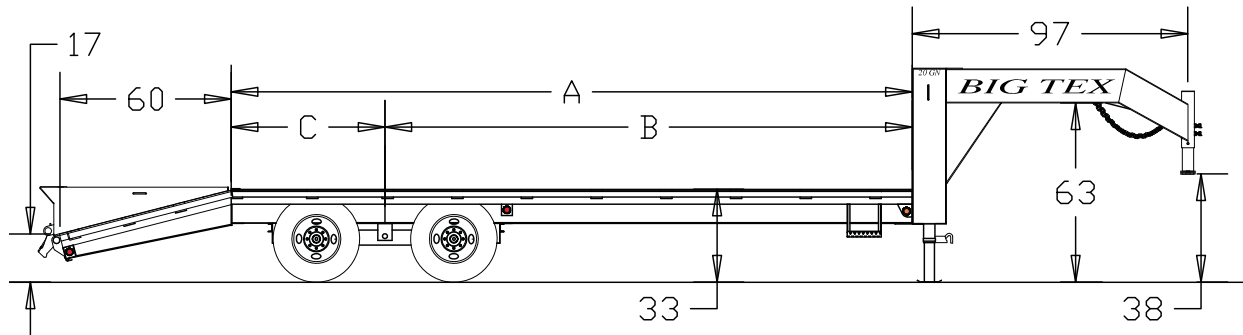
# 20GN Tandem Axle Gooseneck

<b>G.V.W.R.</b>	20,000#	<b>AXLES</b>	Two 10,000# Dual Wheel Electric Brakes
<b>G.A.W.R. (Ea. Axle)</b>	10,000#	<b>SUSPENSION</b>	Multi-Leaf Slipper Spring w/Equalizer
<b>COUPLER</b>	2-5/16" Ball Adj. Pipe or 3" ID Pintle	<b>TIRE</b>	ST235 D-16 Load Range E Dual
<b>SAFETY CHAINS</b>	3/8" Grd. 70 w/Safety Latch Hook (2 each)	<b>WHEEL</b>	16 x 6 Dual 8 Bolt
<b>JACKS</b>	12K Drop Leg Jack (Bolted On)	<b>FLOOR</b>	2" Pine
<b>NECK</b>	12" I-Beam	<b>LIGHTS</b>	D.O.T. Stop, Tail, Turn & Clearance
<b>TOP RAIL</b>	None	<b>ELEC. PLUG</b>	7-Way RV
<b>FRAME</b>	12" I-Beam	<b>FINISH (Prep)</b>	Steel is Cleaned to Ensure a Professional Smooth Finish.
<b>CROSSMEMBERS</b>	3" Channel	<b>FINISH</b>	Superior Quality Finish is Applied for a Highly Decorative and Protective Finish.
<b>SIDE RAILS</b>	5" Channel w/Rub Rail and Stake Pockets on 24" Centers		

## Standard Features

- Safety Chains Attached w/Cold Rolled Eyelets
- 12K Drop Leg Jack on GN/12K TW Drop Leg Jack on Pintle
- Bolt On Jack w/Greasable Handle
- Low Profile Bed, Pierced Frame
- 102" Overall Width
- 3/8" Heavy Duty Rub Rail
- Safety Reflective Marker Tape
- Oil Bath Axles w/Electric Brake on Each
- Complete Break-A-Way System w/Battery & Charger
- Spare Mount
- Rubber Mounted Sealed Lighting
- 5' Dovetail w/Double Hinged Fold Over Ramps

Dimensions w/Dovetail			
Model	A	B	C
20 + 5	240	186"	54"



MODEL#	WEIGHT	DESCRIPTION
20GN-20+5	5,130#	102" x 20' + 5' Tandem 20,000# Gooseneck

### OPTIONS

Spare Tire (ST235 D-16 LR-E Dual)	LED Lighting
-----------------------------------	--------------