

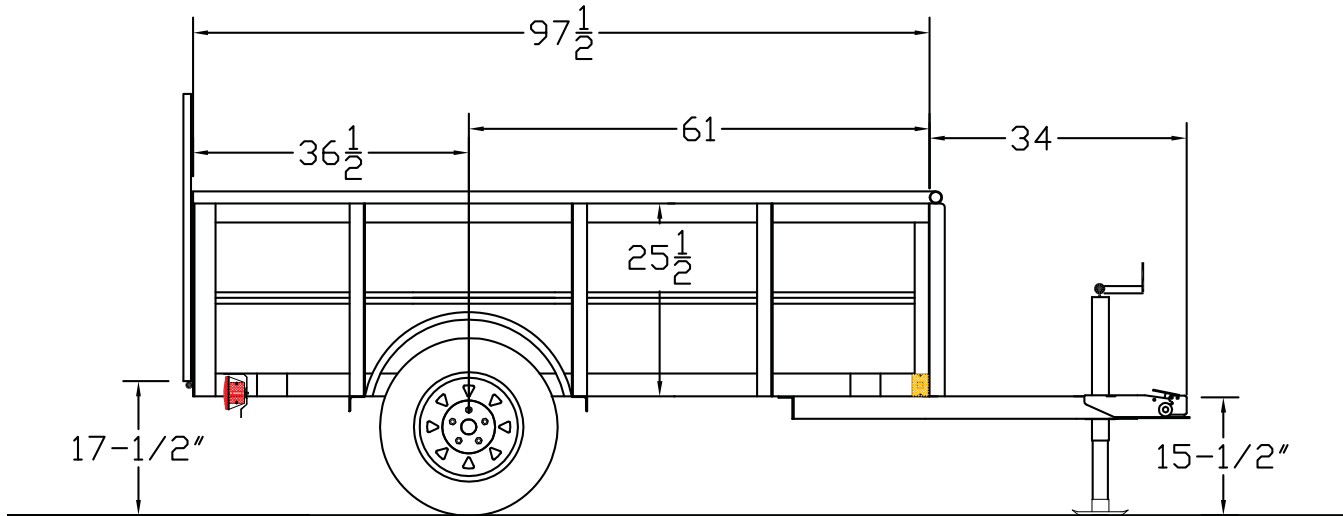
19SV Single Axle Vanguard

G.V.W.R.	1,995#	AXLE	2,000# EZ Lube
G.A.W.R.	1,995#	SUSPENSION	Multi-Leaf Spring
COUPLER	2" A-Frame	TIRE	ST175/80-13" Load Range C
SAFETY CHAINS	1/4" Grd. 30 w/Safety Latch Hook (2 each)	WHEEL	13 x 4.5 White Spoke 5 Bolt
JACK	2K Top Wind (Bolted On)	FLOOR	2" Pine
TONGUE	3" Channel	LIGHTS	D.O.T. Stop, Tail, Turn & Clearance
TOP RAIL	1-5/8" Pipe	ELEC. PLUG	4-Way Flat w/Loom
FRAME	3" x 2" x 3/16" Angle	FINISH (Prep)	Steel is Cleaned to Ensure a Professional Smooth Finish.
CROSSMEMBERS	2" x 2" x 1/8" Angle	FINISH	Superior Quality Finish is Applied for a Highly Decorative and Protective Finish.
UPRIGHTS	2" x 2" x 1/8" Angle		
FENDERS	8" x 28" Rolled Formed		

Standard Features

- Safety Chains Attached w/Cold Rolled Eyelets
- Lower Jack Support Plate
- 4 Tie Down Loops Inside Bed
- Sand Foot on Jack
- 27-3/4" Sides w/ 24" V-Crimped Steel Panels
- EZ Lube Axle

Shown with Optional Rampgate



MODEL#	WEIGHT	DESCRIPTION
19SV-08	690#	50" x 8' Single Axle Vanguard

OPTIONS

3' Rampgate w/Expanded Metal
