

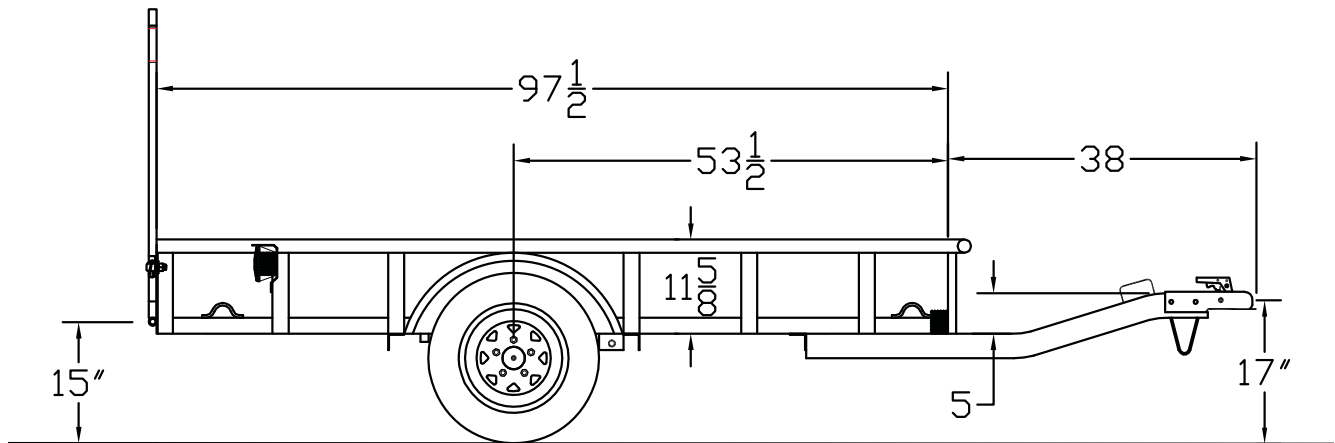
15LT *Lil Tex Utility*

G.V.W.R.	1,500#	AXLE	2,000# EZ Lube
G.A.W.R.	1,500#	SUSPENSION	Multi-Leaf Slipper Spring
COUPLER	2"	TIRE	4.80-12" Load Range C
SAFETY CHAINS	1/4" Grd. 30 w/Safety Latch Hook (2 each)	WHEEL	12 x 4 White Spoke 5 Bolt
JACK	None	FLOOR	2" Pine
TONGUE	Single 2" x 3" Tubing	LIGHTS	D.O.T. Stop, Tail, Turn & Clearance
TOP RAIL	1-5/8" OD Pipe	ELEC. PLUG	4-Way Flat w/Loom
FRAME	2" x 2" x 1/8" Angle	FINISH (Prep)	Steel is Cleaned to Ensure a Professional Smooth Finish.
CROSSMEMBERS	2" x 2" x 1/8" Angle	FINISH	Superior Quality Finish is Applied for a Highly Decorative and Protective Finish.
UPRIGHTS	10" Tall 2" x 1" Formed Pipe		
FENDERS	7" x 28" Rolled Formed w/Back		

Standard Features

- Safety Chains Attached w/Cold Rolled Eyelets
- Tubular Raised Tongue
- Lower Tongue Support & Handle
- Floor Secured w/Torx Screws
- 4 Tie Downs
- EZ Lube Axle

Shown with Optional Rampgate



MODEL#	WEIGHT	DESCRIPTION
15LT-08	400#	50" x 8' Single Axle

OPTIONS

3' Rampgate w/Expanded Metal

STANDARD MODEL - NO OTHER OPTIONS AVAILABLE