

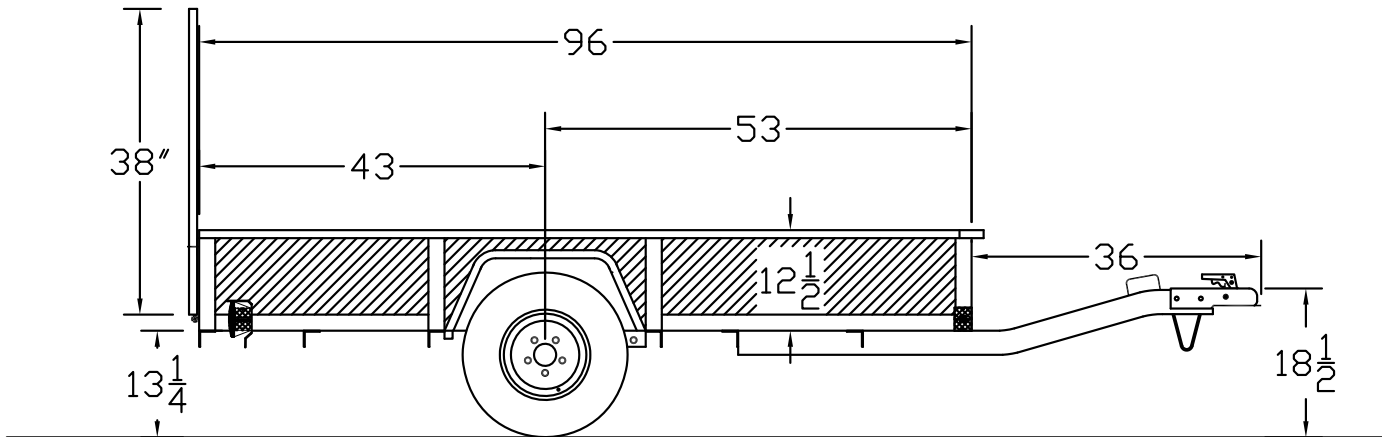
# 15AA

## *Single Axle All-Around Utility*

<b>G.V.W.R.</b>	1,500#	<b>AXLE</b>	2,000# EZ Lube
<b>G.A.W.R.</b>	1,500#	<b>SUSPENSION</b>	Multi-Leaf Slipper Spring
<b>COUPLER</b>	2"	<b>TIRE</b>	20.5 x 8.0-10 Load Range C
<b>SAFETY CHAINS</b>	1/4" Grd. 30 w/Safety Latch Hook (2 each)	<b>WHEEL</b>	10 x 6 - 5 Bolt
<b>JACK</b>	None	<b>FLOOR</b>	Expanded Metal
<b>TONGUE</b>	Single 3" x 2" Tubing (Cold Formed)	<b>LIGHTS</b>	D.O.T. Stop, Tail, Turn & Clearance
<b>FRAME</b>	2" x 2" x 1/8" Angle	<b>FINISH (Prep)</b>	Steel is Cleaned and Etched to Ensure Smooth, High Bond Paint Adhesion.
<b>CROSSMEMBERS</b>	2" x 2" x 1/8" Angle	<b>FINISH</b>	Painted with High-Solids Supreme Automotive Grade Enamel and Pin-Striped for a Highly Decorative and Protective Finish.
<b>FENDERS</b>	9" x 26" Jeep Style		
<b>SIDES</b>	14 Gauge Fabricated Smooth		
<b>UPRIGHTS</b>	11" Tall, 2" x 1" Tubing		

### Standard Features

- Safety Chains Attached w/Cold Rolled Eyelets
- Cold Formed Tubular Raised Tongue
- Lower Tongue Support & Handle
- 12-1/2" Solid Fabricated Sides
- Expanded Metal Floor for Easy Cleaning
- 4 Tie Down Loops Inside
- EZ Lube Axle



MODEL#	WEIGHT	DESCRIPTION
15AA-08	420#	50" x 8' Single Axle All-Around

#### OPTIONS

3' Rampgate w/Expanded Metal

STANDARD MODEL - NO OTHER OPTIONS AVAILABLE