

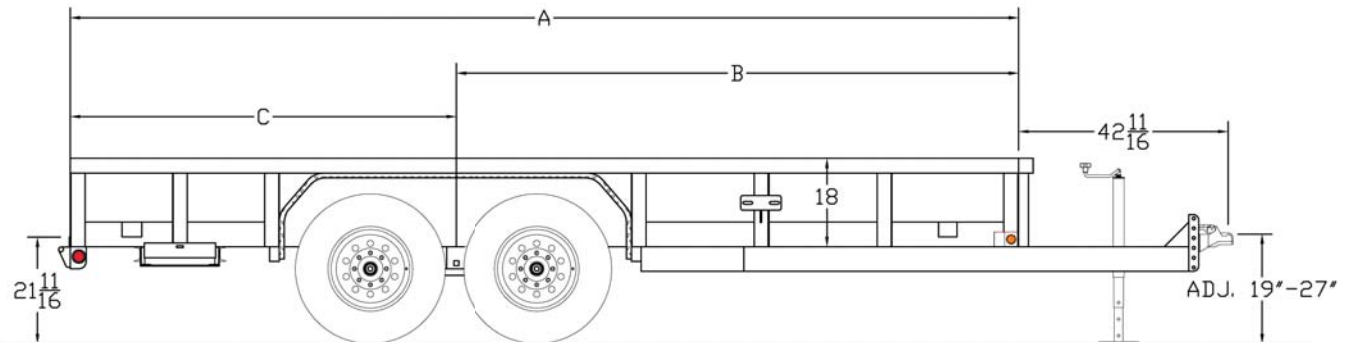
# 14PI Heavy Duty Pipe Tandem Axle

<b>G.V.W.R.</b>	14,000#	<b>AXLES</b>	Two 7,000# EZ Lube w/Electric Brakes
<b>G.A.W.R. (Ea. Axle)</b>	7,000#	<b>SUSPENSION</b>	Multi-Leaf Slipper Spring w/Equalizer
<b>COUPLER</b>	Adjustable 2-5/16" 14K Cast	<b>TIRE</b>	ST235/80 R-16 Load Range E
<b>SAFETY CHAINS</b>	3/8" Grd. 70 w/Safety Latch Hook (2 each)	<b>WHEEL</b>	16 x 6 Heavy White Mod 8 Bolt
<b>JACK</b>	7K Drop Leg Jack (Bolted On)	<b>FLOOR</b>	2" Pine
<b>TONGUE</b>	6" Channel Fold Back	<b>LIGHTS</b>	D.O.T. Stop, Tail, Turn & Clearance
<b>TOP RAIL</b>	3" Square Tube Square Back	<b>ELEC. PLUG</b>	7-Way RV
<b>FRAME</b>	5" x 3" x 5/16" Angle	<b>FINISH (Prep)</b>	Steel is Cleaned to Ensure a Professional Smooth Finish.
<b>CROSSMEMBERS</b>	3" Channel on 16" Centers	<b>FINISH</b>	Superior Quality Finish is Applied for a Highly Decorative and Protective Finish.
<b>UPRIGHTS</b>	15" Tall - 3" x 2" x 3/16" Angle		
<b>FENDERS</b>	9" x 72" Double Broke Diamond Plate w/Back		

### Standard Features

- Adjustable 14K Cast Coupler
- Safety Chains Attached w/Cold Rolled Eyelets
- 7K Set Back Jack (Bolted On)
- Lower Jack Support Plate
- Fold Back Tongue (14' and longer)
- Reflective Marker Tape
- Tie Down Pockets
- 3" Square Tube Top Rail Capped w/Self Sealing Plugs
- Floor Secured w/Torx Screws
- Cambered EZ Lube Axles w/Electric Brake on Each
- Complete Break-A-Way System w/Charger
- Spare Tire Mount (Side)
- 4' Slide-In Ramps (Channel)
- Grommet Mount Sealed Lighting

Dimensions			
Length	A	B	C
16'	193-1/2"	115"	78-1/2"
18'	217-1/2"	127"	90-1/2"
20'	240"	138"	102"



MODEL#	WEIGHT	DESCRIPTION
14PI-16	2,310#	83" x 16' Tandem Axle
14PI-18	2,470#	83" x 18' Tandem Axle
14PI-20	2,990#	83" x 20' Tandem Axle

### OPTIONS

Adjustable Pintle in Channel	LED Lighting
12K Drop Leg Jack - Top Wind	Rampgate in Lieu of Ramps
Hydraulic Surge Brakes 2 Axles	Gas Spring Assist Option - Rampgate
Spare Tire (ST235/80 R-16 LR-E)	4' Heavy Duty Integrated Ramp Gate w/Gas Spring Assist in Lieu of Ramps
Tire Upgrade (ST235/85 R-16 LR-G)	5' Stand up Ramps in Lieu of Slide In
Spare Tire Upgrade (ST235/85 R-16 LR-G)	