

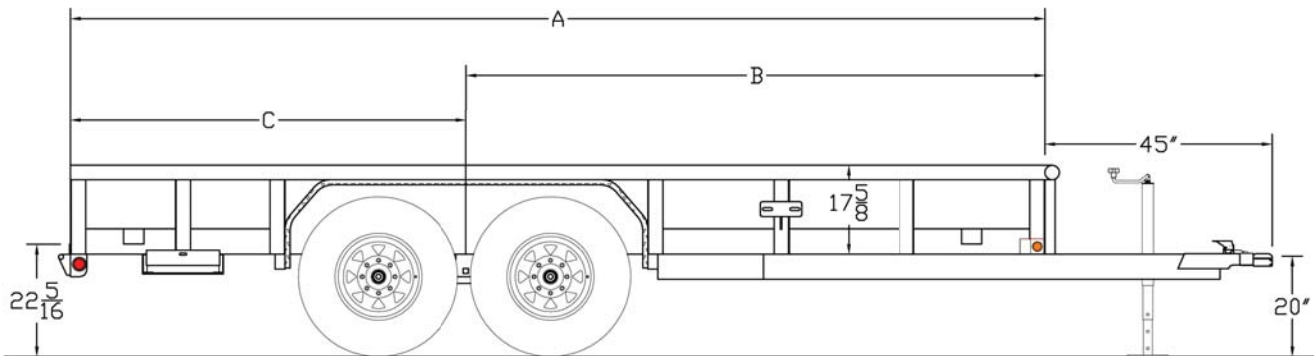
12PI Heavy Duty Pipe Tandem Axle

G.V.W.R.	12,000#	AXLES	Two 6,000# EZ Lube w/Electric Brakes
G.A.W.R. (Ea. Axle)	6,000#	SUSPENSION	Multi-Leaf Slipper Spring w/Equalizer
COUPLER	Forged 2-5/16"	TIRE	ST235/80 D-16 Load Range E
SAFETY CHAINS	1/4" Grd. 70 w/Safety Latch Hook (2 each)	WHEEL	16 x 6 White Spoke 8 Bolt
JACK	7K Drop Leg Jack (Bolted On)	FLOOR	2" Pine
TONGUE	5" Channel Fold Back	LIGHTS	D.O.T. Stop, Tail, Turn & Clearance
TOP RAIL	2-7/8" Pipe Square Back	ELEC. PLUG	7-Way RV
FRAME	5" x 3" x 1/4" Angle	FINISH (Prep)	Steel is Cleaned to Ensure a Professional Smooth Finish.
CROSSMEMBERS	3" x 2" x 3/16" Angle	FINISH	Superior Quality Finish is Applied for a Highly Decorative and Protective Finish.
UPRIGHTS	16" Tall - 3" x 2" x 3/16" Angle		
FENDERS	9" x 72" Double Broke Diamond Plate w/Back		

Standard Features

- Forged Coupler
- Safety Chains Attached w/Cold Rolled Eyelets
- 7K Drop Leg Jack
- Lower Jack Support Plate
- Fold Back Tongue (14' and longer)
- Reflective Marker Tape
- 4 Tie Down Pockets, Sides & Rear
- 2-7/8" Pipe Top Rail Capped w/Self Sealing Plugs
- Floor Secured w/Torx Screws
- Cambered EZ Lube Axles w/Electric Brake on Each
- Complete Break-A-Way System w/Charger
- Spare Tire Mount (Side)
- 4' Slide-In Ramps (Channel)
- Grommet Mount Sealed Lighting

Dimensions			
Length	A	B	C
14'	169-1/2"	103"	66-1/2"
16'	193-1/2"	115"	78-1/2"
18'	217-1/2"	127"	90-1/2"
20'	240"	138"	102"



MODEL#	WEIGHT	DESCRIPTION
12PI-14	2,360#	83" x 14' Tandem Axle
12PI-16	2,470#	83" x 16' Tandem Axle
12PI-18	2,560#	83" x 18' Tandem Axle
12PI-20	2,670#	83" x 20' Tandem Axle

OPTIONS

Adjustable Pintle in Channel	LED Lighting
12K Drop Leg Jack - Top Wind	Rampgate in Lieu of Ramps
Hydraulic Surge Brakes 2 Axles	Gas Spring Assist Option - Rampgate
Spare Tire (ST235 D-16 LR-E)	4' Heavy Duty Integrated Ramp Gate w/Gas Spring Assist in Lieu of Slide In Ramps
Tire Upgrade (ST235/80R16 LR-E)	5' Stand up Ramps in Lieu of Slide In
Spare Tire Upgrade (ST235/80 R16 LR-E)	