

12ET

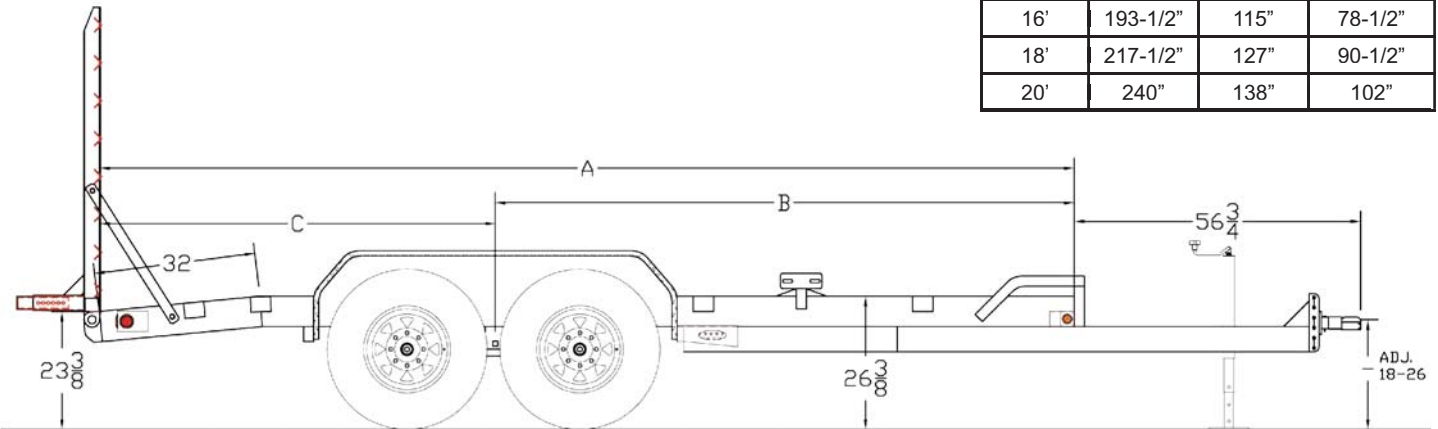
Pro Series Tandem Axle Equipment

G.V.W.R.	12,000#	AXLES	Two 6,000# EZ Lube w/Electric Brakes
G.A.W.R. (Ea. Axle)	6,000#	SUSPENSION	Multi-Leaf Slipper Spring w/Equalizer
COUPLER	Adjustable Forged 2-5/16"	TIRE	ST235/80 D-16 Load Range E
SAFETY CHAINS	1/4" Grd. 70 w/Safety Latch Hook (2 each)	WHEEL	16 x 6 White Spoke 8 Bolt
JACK	7K Drop Leg Jack (Bolted On)	FLOOR	2" Pine
TONGUE	5" Channel Fold Back	LIGHTS	D.O.T. Stop, Tail, Turn & Clearance
TOP RAIL	None	ELEC. PLUG	7-Way RV
FRAME	6" Channel	FINISH (Prep)	Steel is Cleaned to Ensure a Professional Smooth Finish.
CROSSMEMBERS	3" Channel	FINISH	Superior Quality Finish is Applied for a Highly Decorative and Protective Finish.
UPRIGHTS	None		
FENDERS	9" x 72" Diamond Plate w/Back (Removable)		

Standard Features

- Adjustable Forged Coupler
- Safety Chains Attached w/Cold Rolled Eyelets
- 7K Drop Leg Jack
- Lower Jack Support Plate
- Fold Back Tongue w/Set Back (14' and longer)
- Reflective Marker Tape
- Tie Down Pockets, Sides & Front
- Square Front w/Diamond Plate
- 2" Tubular Stop Rail
- Floor Secured w/Torx Screws
- Cambered EZ Lube Axles w/Electric Brake on Each
- Complete Break-A-Way System w/Charger
- Spare Tire Mount
- 32" Dovetail
- 5' Stand-Up Ramps w/Support Leg
- Grommet Mount Sealed Lighting

Dimensions			
Length	A	B	C
16'	193-1/2"	115"	78-1/2"
18'	217-1/2"	127"	90-1/2"
20'	240"	138"	102"



MODEL#	WEIGHT	DESCRIPTION
12ET-16	2,580#	83" x 16' Tandem Axle Equipment Trailer
12ET-18	2,640#	83" x 18' Tandem Axle Equipment Trailer
12ET-20	2,700#	83" x 20' Tandem Axle Equipment Trailer

OPTIONS

Adjustable Pintle in Channel	Tire Upgrade (ST235/80 R-16 LR-E)
12K Drop Leg Jack - Top Wind	Spare Tire Upgrade (ST235/80 R-16 LR-E)
12K Drop Leg Jack - Side Wind Against Bed	LED Lighting
Hydraulic Surge Brakes 2 Axles	Gooseneck in Lieu of Bumper Pull
Spare Tire (ST235/80 D-16 LR-E)	